

Single-body electric cooker with electric oven constructed in AISI 304 stainless steel. Electric hob in AISI 304 stainless steel. 1.5 mm thick pressed top, designed for back-to-back alignment and to accommodate the water column accessory. Recessed top to contain spills. Round Ø 220 mm sealed hotplates in cast-iron with 2.6 kW output. Hotplates equipped with automatic reset safety thermostat which trips in the event the appliance is switched on without a pan. 7-position selector switch for heat adjustment. Indicator led for verifying correct appliance operation.

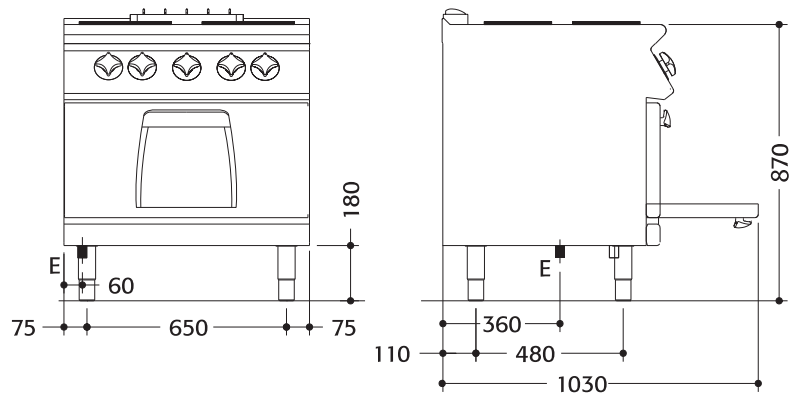
GN 2/1 conventional electric oven. Oven heated by independently controlled top and bottom heating elements. Thermostat control providing temperature adjustment from 50°C to 300°C. Cooking chamber in stainless steel, dimensions 575x654x300h mm. Thick enamelled steel oven bottom. Oven inner door in stainless steel with labyrinth seal. 4-position selector switch, safety thermostat. Indicator leds indicating correct oven operation. Oven power: 6 kW. Appliance equipped with height adjustable feet in stainless steel (850 - 900 mm).

STANDARD FEATURES

- 1.5mm thick pressed stainless steel tops
- Modular design
- Interlocking device supplied with all units

OPTIONAL FEATURES

- Castor kit



LEGEND

E = Socket

DIMENSIONS

External: 730D x 800W x 870H mm

Oven: 575D x 654W x 300H mm

Plate Dimensions: 4 x Ø 220 mm

TECHNICAL DATA

Power Supply: 400V 3NAC 50Hz (Lead & Plug not included)

Total Output: 16.40kW

Hobs: 4 x 2.6kW Hotplates

Oven: 6kW

SHIPPING DATA

Net Weight: 90kg

Shipping Weight: 105kg

Shipping Dimensions: 830W x 840L x 1,100H mm

SPECIFICATIONS ARE SUBJECT TO CHANGE WITHOUT NOTICE.

