

The robust, stainless steel POLAR52 vacuum packaging machine is standard equipped with a Busch vacuum pump.

STANDARD FEATURES

- Pump capacity: 63 m³/h Busch vacuum pump
- Standard with 2 seal bars: 2 x 520 mm (left/right)
- Standard double seal (two wires)
- Silicone holders easily removable for cleaning and maintenance purposes
- Pump maintenance and cleaning program
- Machine cycle: 15-40 sec
- Standard Soft Air to protect the product and vacuum bag
- Flat work plate
- Standard Digital control with 10 program memory and Time control
- Insert plates included for a faster cycle and product adjustment
- Stainless steel exterior
- IP-65 Rating
- Service kit for standard maintenance included

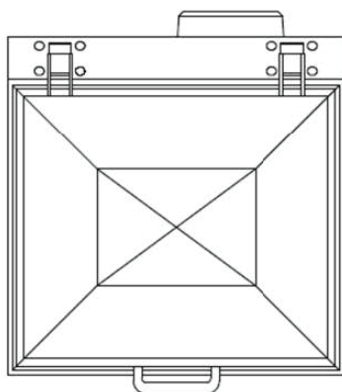
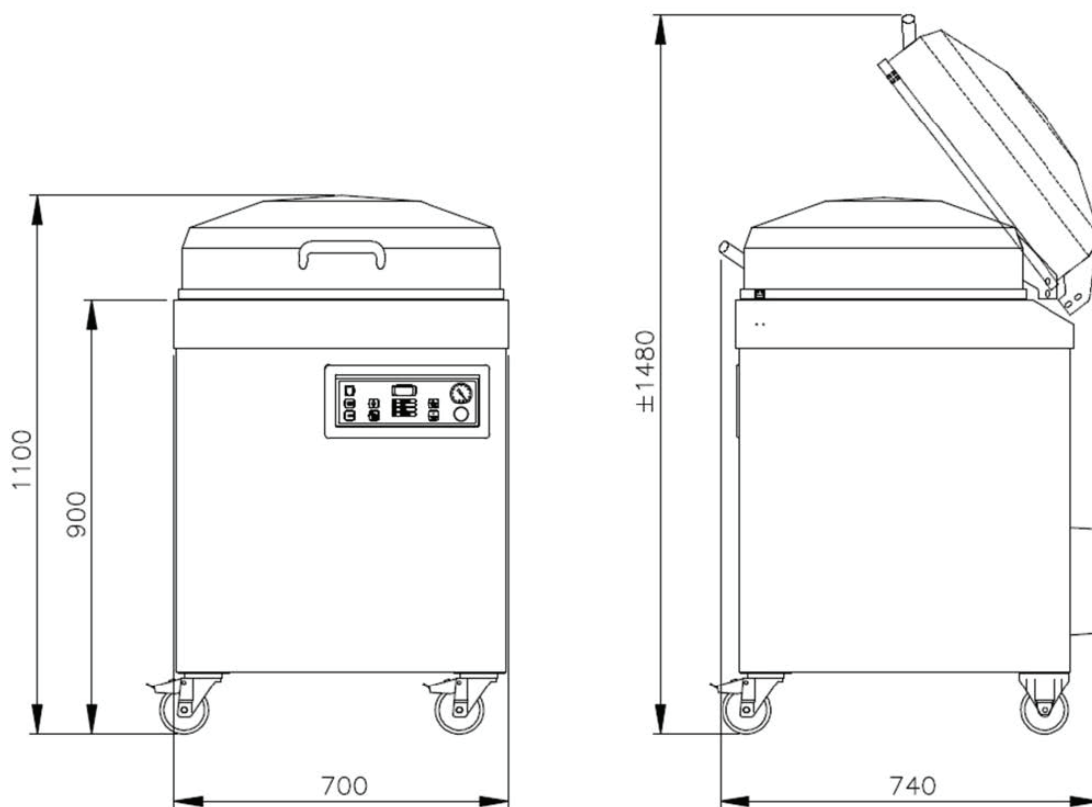


OPTIONAL FEATURES

- Advanced Control System (ACS)
- 1-2 Cut-off seal/Bi-active seal
- Sensor control
- Cut off seal
- Wide seal (10mm)
- Liquid control
- Gas flush (incl. pressed air connection)
- Preparation for external pump

ACCESSORIES

- Zebra ZD410 thermal label printer (only in combination with ACS models)
- Inclined insert plate (for vacuum packing liquids and powders)



Made in the Netherlands

DIMENSIONS

External Dimension: 700W x 740D x 1100H mm

Chamber (usable space): 520W x 500D x 200H mm

TECHNICAL DATA

Voltage (Hz): 3NAC 400V 50Hz

Pump Capacity (m³/h): 63

Power (kW): 1.8

Weight: 183kg

RCM Approved:

SPECIFICATIONS ARE SUBJECT TO CHANGE WITHOUT NOTICE.

Busch vacuum pumps, world leaders in vacuum pump technology.

Two years parts & labour warranty