



MIBRASA®

MIBRASA® is a closed barbeque grill invented in Spain. Made from the best quality steel by expert hands, our grills are designed to satisfy even the most demanding chefs.

The technical specifications allow the user to accurately control the air flow through the grill, changing the intensity of the embers. This is an extremely efficient way of cooking and cuts down the amount of charcoal needed.

MIBRASA® charcoal ovens allow you to cook all types of foods retaining the natural flavours and bringing out a unique taste.

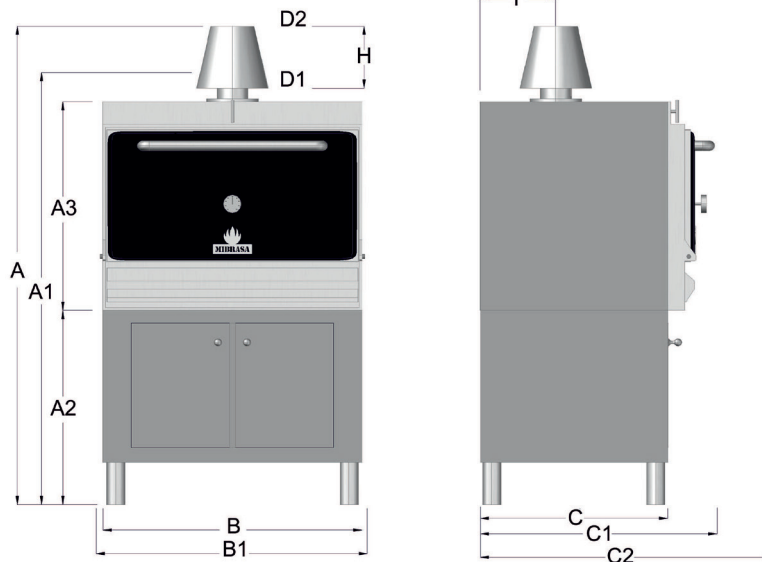
STANDARD FEATURES

- Amazing results for all types of foods: meat, fish, vegetables
- 2 in 1 = Oven and Grill
- Faster and cleaner than an open grill using less consumption of charcoal (approximately 40% less).
- Increased control of heat - for maximum grilling quality.
- Everyone loves the natural flavours that cooking over Coals impart!!

TECHNICAL INFORMATION	HMB 75	HMB 110	HMB 160
Diners*	75	110	160
Fire up time* (min)	25	30	35
Cooking temperature (°C)	250-350	250-350	250-350
Charcoal consumption* (kg/day)	13	18	20
Production* (kg/h)	70	100	120
Performance* (h)	9	10	10
Useful dimensions of grill (mm)	500 x 600	720 x 600	720 x 800
Equivalent power* (kW)	3,5	5	6
Exhaust rate (m ³ /h)	2000	2400	2600

* Approximate data

- INCLUDED ACCESSORIES**
- Grill
 - Oven tongs
 - Charcoal ember poker
 - Ash shovel
 - Grill brush
- OPTIONAL ACCESSORIES**
- Extra grill
 - Firebreak
 - Dissipating filter
 - Cookware
 - Steel wheels with brakes



Model	A	A1	A2	A3	B	B1	C	C1	C2	H	I	D1	D2
HMB AB 75	1660	1480	740	650	700	730	640	820	1080	230	300	115	150
HMB AB 110	1710	1530	690	740	920	950	640	820	1170	230	300	115	150
HMB AB 160	1710	1530	690	740	920	950	840	1020	1360	230	350	115	150

HMB AB 75, 110, 160

CHARCOAL OVEN WITH CUPBOARD BELOW



Shown with optional Firebreak



National Head Office
 156 Swann Drive
 Derrimut VIC 3030
 Tel: +61 3 8369 4600
 Fax: +61 3 8369 4699
www.comcater.com.au

Melbourne
 96-100 Tope Street
 South Melbourne VIC 3205
 Tel: +61 3 8369 4600
 Fax: +61 3 8699 1299

Sydney
 20/4 Avenue of the Americas
 Newington, NSW 2127
 Tel: +61 2 9748 3000
 Fax: +61 2 9648 4762

Brisbane
 1/62 Borthwick Avenue
 Murarrie QLD 4172
 Tel: +61 7 3399 3122
 Fax: +61 7 3399 5311

Perth
 Unit 16, 7 Abrams Street
 Balcatta, WA 6021
 Tel: +61 8 6217 0700
 Fax: +61 8 6217 0799