

The robust, stainless steel Purevac Polar 2-50 vacuum packaging machine is standard equipped with a Busch vacuum pump.

STANDARD FEATURES

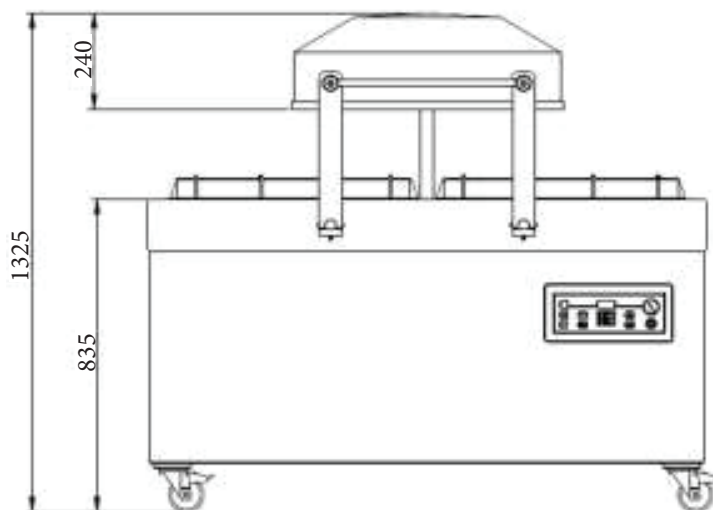
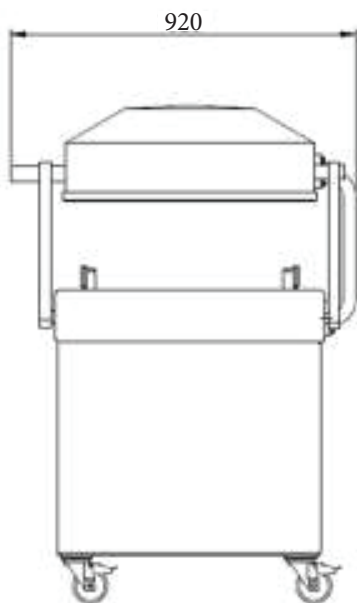
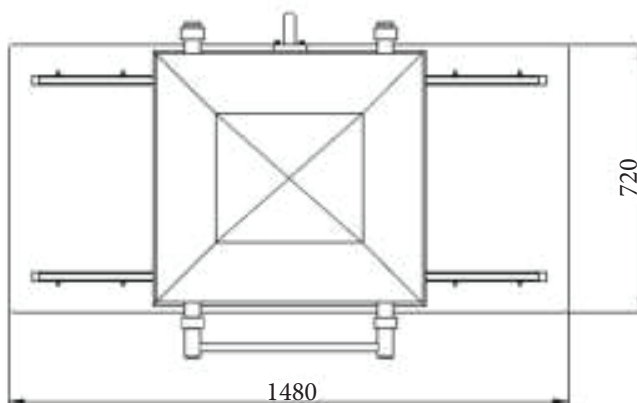
- Standard with 2 seal bars (front-back): 2 x 620 mm
- Standard double seal (two wires), optional without extra costs: Cut-off or Wide seal (10 mm)
- Silicone holders easily removable for cleaning and maintenance purposes
- Pump capacity: 100 m³/h Busch vacuum pump
- Pump maintenance and cleaning program
- Machine cycle: 15-40 sec
- Soft Air to protect the product and vacuum bag
- Standard digital control with 10 program memory and time control
- Flat work plate
- Comes with insert plates for a faster cycle and product adjustment
- Stainless steel exterior
- IP-65 Rating

OPTIONAL

- 1-2 Cut off / Bi-active seal
- Sensor control, Advanced Control System (ACS), Liquid control
- Gas flush (incl. pressed air connection)
- Preparation for external pump
- Heating element for vacuum valve

ACCESSORIES

- ACSPRINTER (only in combination with ACS)
- Inclined insert plate (for vacuum packing liquids and powders)



Made in the Netherlands

DIMENSIONS

External dimensions: 1480W x 920D x 1325H mm

Chamber (usable space): 500W x 620D x 240H mm

TECHNICAL DATA

Voltage (Hz): 3NAC 400V 50Hz

Pump Capacity (m³/h): 100

Power (kW): 2.6

Weight: 345kg

RCM Approved:

SPECIFICATIONS ARE SUBJECT TO CHANGE WITHOUT NOTICE.



Busch vacuum pumps, world leaders in vacuum pump technology.



Two years parts and labour warranty