

The robust, stainless steel POLAR2-95 vacuum packaging machine is standard equipped with a Busch vacuum pump. This double chamber complies with CE standards.

STANDARD FEATURES

- Pump capacity: 300 m³/h Busch pump
- Standard with 2 seal bars (front-back): 2 x 1100 mm.
Optional without extra costs: 2 seal bars (left-right): 2 x 850 mm
- Standard double seal (two wires)
- Silicone holders easily removable for cleaning and maintenance purposes
- Pump maintenance and cleaning program
- Machine cycle: 15-40 sec
- Soft Air to protect the product and vacuum bag
- Standard Digital control with 10 program memory and Time control
- Flat work plate
- Insert plates included for a faster cycle and product adjustment
- IP-65 Rating
- Service kit for standard maintenance included

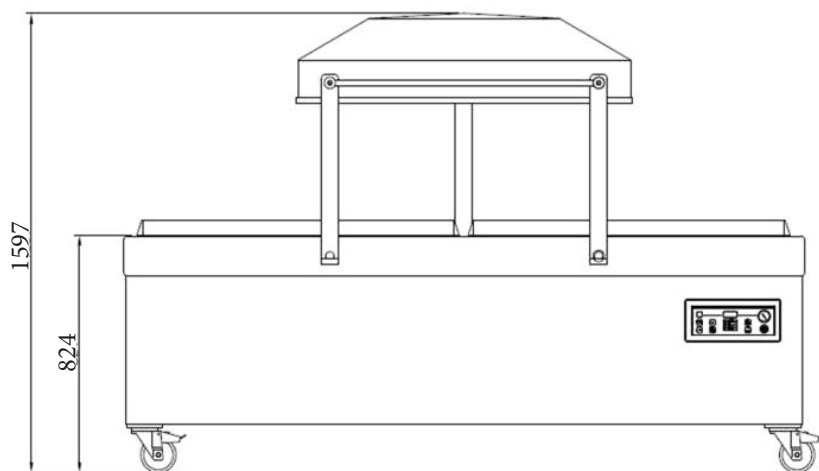
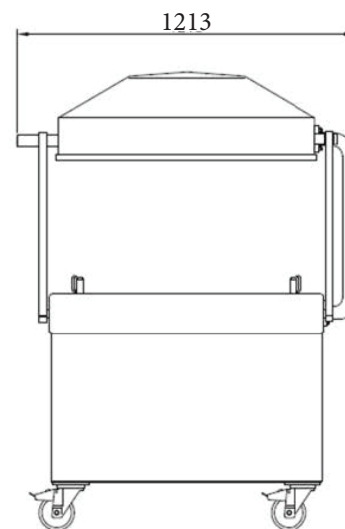
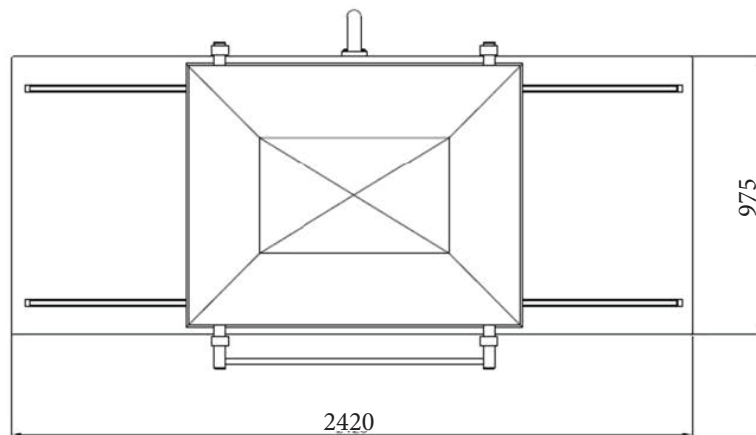


OPTIONAL FEATURES

- Advanced Control System (ACS)
- 1-2 Cut-off/Bi-active seal
- Sensor control
- Liquid control
- Automatic lid
- 3 seal bars (front, center, back): 3 x 1100 mm
- Cut off seal
- Wide seal (10mm)
- Gas flush (incl. pressed air connection)
- Preparation for external pump
- Heating element for vacuum valve
- Easy Swing
- Extra seal capacity

ACCESSORIES

- Zebra ZD410 thermal label printer (only in combination with ACS models)
- Lid filler plates
- Inclined insert plate (for vacuum packing liquids and powders)



Made in the Netherlands

DIMENSIONS

External Dimension: 2420W x 1213D x 1597H mm
Chamber (usable space): 730W x 1100D x 280H mm

TECHNICAL DATA

Voltage (Hz): 3NAC 400V 50Hz
Pump Capacity (m³/h): 300
Power (kW): 5.5
Weight: 767kg

RCM Approved:

SPECIFICATIONS ARE SUBJECT TO CHANGE WITHOUT NOTICE.



Busch vacuum pumps, world leaders in vacuum pump technology.



Two years parts and labour warranty