

The robust, stainless steel Polar80 vacuum packaging machine is standard equipped with a Busch vacuum pump. This floor model is perfect for those looking to vacuum seal large quantities.

STANDARD FEATURES

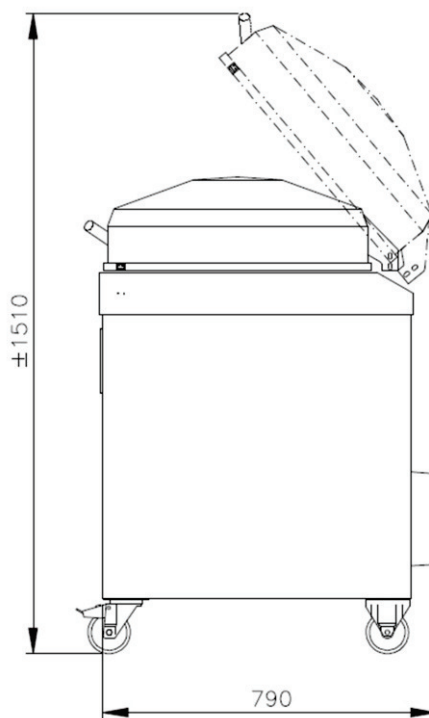
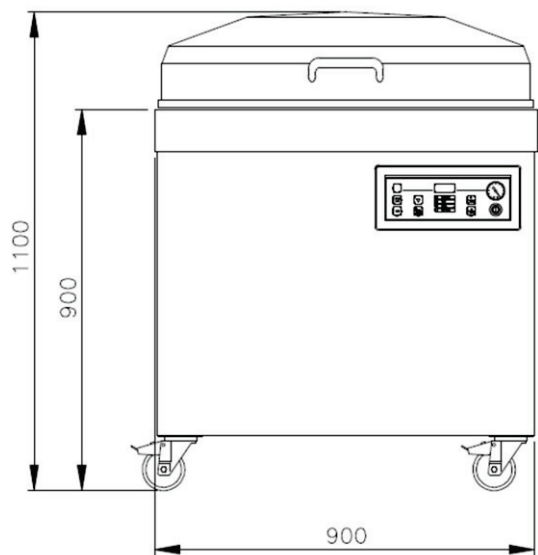
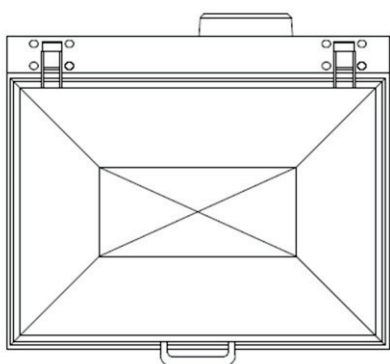
- Standard with 2 seal bars: 760mm (front), 510mm (right)
- Liquid Control
- Other seal bar configurations available for free (front-back, left-right)
- Standard double seal (two wires).
- Silicone holders easily removable for cleaning and maintenance purposes
- Pump capacity: 100m³/h Busch vacuum pump
- Pump maintenance and cleaning program
- Machine cycle: 15-40 sec
- Standard Digital control with 10 program memory and Time control
- Flat work plate
- Comes with insert plates for a faster cycle and product adjustment
- Stainless steel exterior
- IP-65 Rating
- Service kit for standard maintenance

OPTIONAL

- Sensor control, Advanced Control System (ACS)
- Gas flush (incl. pressed air connection)
- Preparation for external pump

ACCESSORIES

- Zebra ZD410 thermal label printer (only in combination with ACS)
- Inclined insert plate (for vacuum packing liquids and powders)



Made in the Netherlands



Busch vacuum pumps, world leaders in vacuum pump technology.



Two years parts and labour warranty

DIMENSIONS

External dimensions: 900W x 790D x 1100H mm

Chamber (usable space): 510W x 760D x 200H mm

TECHNICAL DATA

Voltage (Hz): 3NAC 400V 50Hz

Pump Capacity (m³/h): 100

Power (kW): 2.3

Weight: 248kg

RCM Approved: