



**GENERAL CHARACTERISTICS**

- Nominal content: 150, 200, 250 or 300 litre
- Kettle bowl in 316 acid resistant steel, all other parts in 304 stainless steel
- Full welded, insulated kettle body with etched volume markings
- Working pressure: 1,0 bar
- Max. steam temperature: 120° C
- Integrated isolator switch
- Pressure gauge
- Tilting height: min. 400mm from floor to bottom of pouring lip
- Unheated top for lower energy waste and better comfort
- Hinged lid easy to open/close and with ergonomic lid arm
- Lid made from stainless steel
- Max temp. on the outside of the kettle bowl after 3 hours cooking: <40°C
- Working height: 900 mm
- Electrically automatic filling of water in the steam generator
- Spray gun

**CONTROL AUTO TEMP 02E**

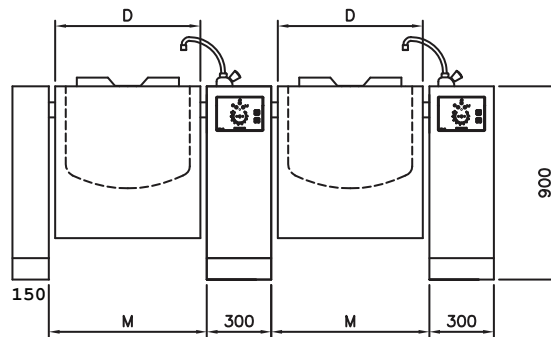
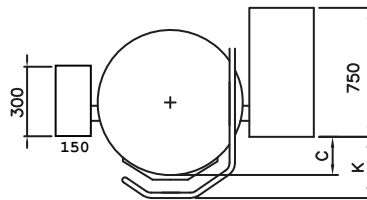
- Electronic heat control by means of dial knob
- Filling of water into the kettle via cold water tap
- Indicator light for kettle in use
- Indicator light to indicate excessive pressure in the kettle/ overheating of the heating elements

**OTHER OPTIONS**

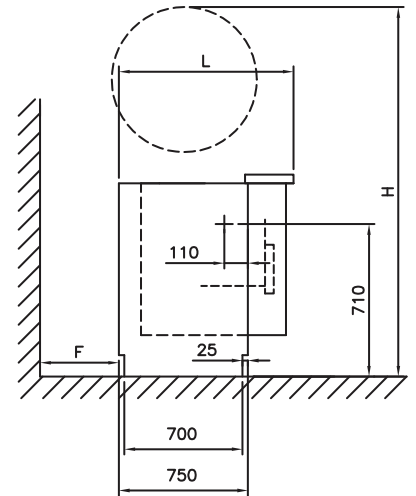
- Drain valves/Butterfly valves
- Rotatable lid

**VARIANTS**

- Can be built together with Easy and EasyMix
- Mounting pillar to the left



AutoTemp 02e



Product Code	Type	Dimensions									Electric			Water	
		C (mm)	D (mm)	H (mm)	K (mm)	L (mm) 750 pillar	M (mm)	F (mm)	Nom/brim volume (L)	Weight (kg)	Rated Power (kW)	Current Consumption (A)	Time to boil 10-90°C (min)	COLD	HOT
AU109006	Easy 150	180	792	1950	325	950	852	200	150/169	330	30	3x43	28	1/2", 1.5-6 bar	1/2", 1.5-6 bar
AU109007	Easy 200	180	842	1982	325	950	902	235	200/222	357	30	3x43	38		
AU109008	Easy 250	180	940	2115	325	960	1000	300	250/278	455	45	3x65	31		
AU109009	Easy 300	180	1040	2194	325	1060	1100	369	300/334	534	45	3x65	38		

Dimensions for F and B vary by the size of the pillars and can be found in the technical data.

SPECIFICATIONS ARE SUBJECT TO CHANGE WITHOUT NOTICE. Drawing and mounting can not be made from these data alone. Further measurements, other voltages and connections and information about electrics, water, steam, compressed air and special conditions regarding leakage current is available in the complete technical data.