



Blast chiller



Icecream



Conservation cycle



Thawing



Chilling programs



Ozone

Features

- Thickness insulation walls 70 mm
- AISI 304 stainless steel construction
- Hot gas defrosting and Forced ventilation
- 7" Touch control
- Functions available: Blast chilling, blast freezing, Blast freezing continuous, automatic blast chilling - thawing - ice cream- conservation- user set programs - HACCP report alarms
- Upload and Download data with USB
- Condensing unit with box

Optional

- Ozone Sanitation
- Water cooled condenser
- 60Hz versions
- Special floor H22 mm
- Without condensing unit
- Soundproof condensing unit
- Additional door (pass through)



Capacity

CT50-270



270 kg

+90°C → +3°C



250 kg

+90°C → -18°C

CT50-400



390 kg

+90°C → +3°C



365 kg

+90°C → -18°C



Combi steamer trolley
GN 2/1

Predisposed **WI-FI**
connection



600 x 800 mm

Features

	CT50-270	CT50-400	CT50 CT-C
Code number			
Power supply	400V/3N/50HZ	400V/3N/50HZ	230V/1N/50HZ
Outside length	1780 mm	1780 mm	1780 mm
Depth	1790 mm	1790 mm	1790 mm
Height	2330 mm	2330 mm	2330 mm
Absorbed power / Max Current	13350 W / 49A	18000 W / 63 A	3700 W / 16A
Cable size	5 x 10,0 mm ²	5 x 16,0 mm ²	3 x 2,5 mm ²
Output chilling (+90°C/+3°C)	270 kg	250 kg	---
Output freezing (+90°C/-18°C)	390 kg	365 kg	---
Cabinet Shipment data	cm / kg 246 x 175 x 132 mm / 770 kg	246 x 175 x 132 mm / 770 kg	246 x 175 x 132 mm / 770 kg
Evap. Shipment data	cm / kg 220 x 121 x 85 mm / 230 kg	220 x 121 x 85 mm / 230 kg	220 x 121 x 85 mm / 230 kg

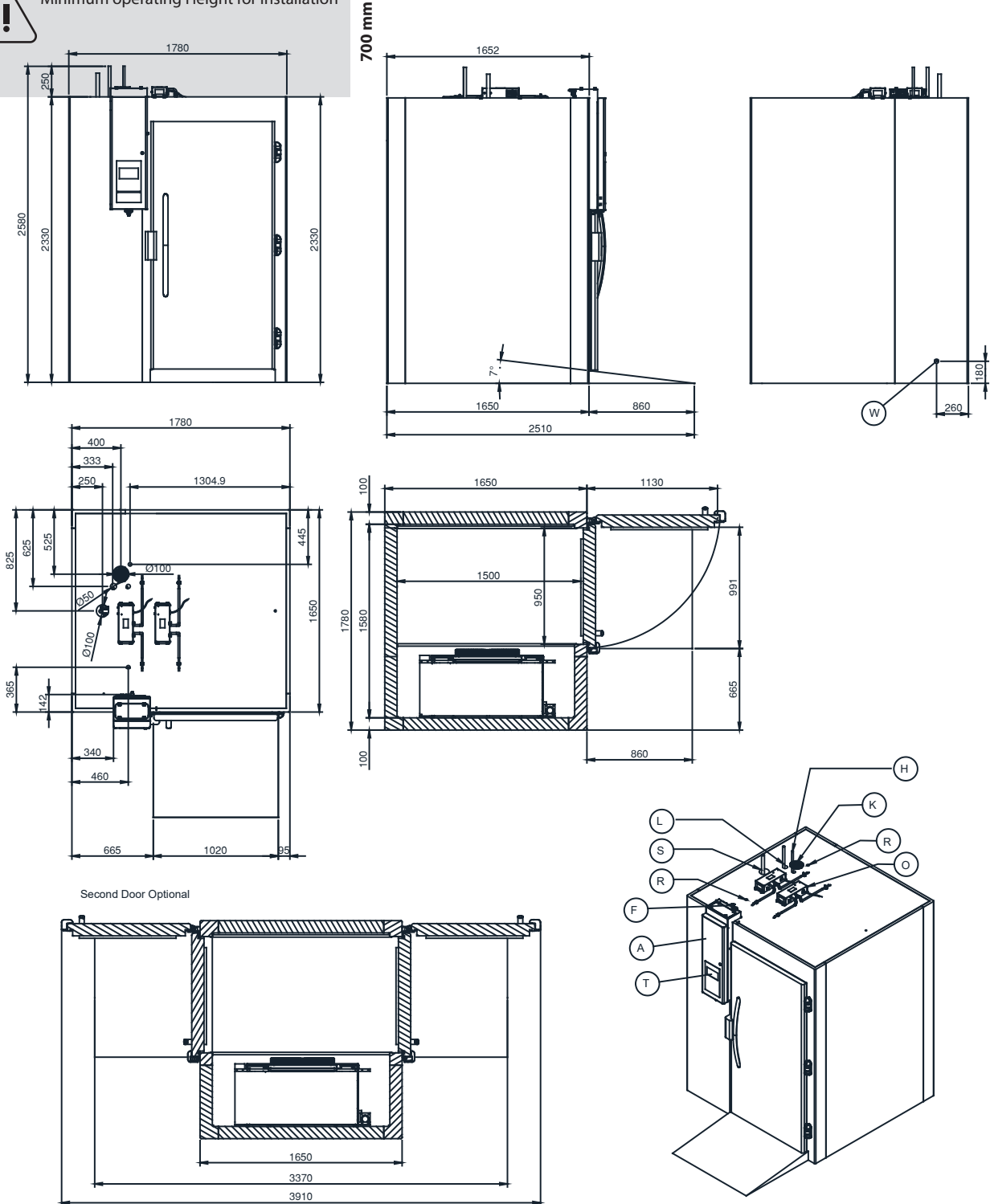
REMOTE UNIT FEATURES (max distance 10 m)

Refrigeration Power (-20°C/+40°C)	18880 W - 10,0 HP	27630 W - 15,0 HP	
Defrost	Hot Gas	Hot Gas	
Diameter Discharge Pipe mm	22	22	
Diameter Suction Pipe mm	35	35	(without C.U.)
Diameter Hot Gas Pipe mm	16	16	
Refrigeration Fluid	R452a / R404A	R452a / R404A	
C.U. Shipment data	cm / kg 235 x 134 x 140 (580 Kg)	235 x 134 x 140 (690 Kg)	

Dimensions



Minimum operating Height for installation



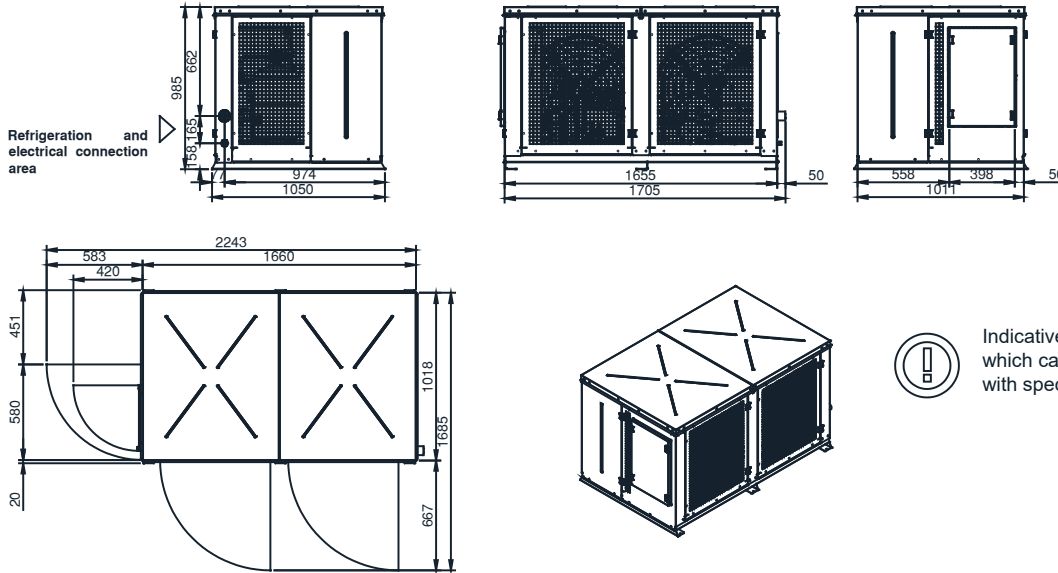
- Ozone Box
- H Hot gas line
- W Water discharge Ø 20 mm
- K Compensation valve
- S Suction gas line
- A Electric Box
- R Cables outlet
- L Liquid line
- T Touch Panel 7"
- F WI-FI Connection

▲ Cable RJ45 CAT. 5 STP max 100 m

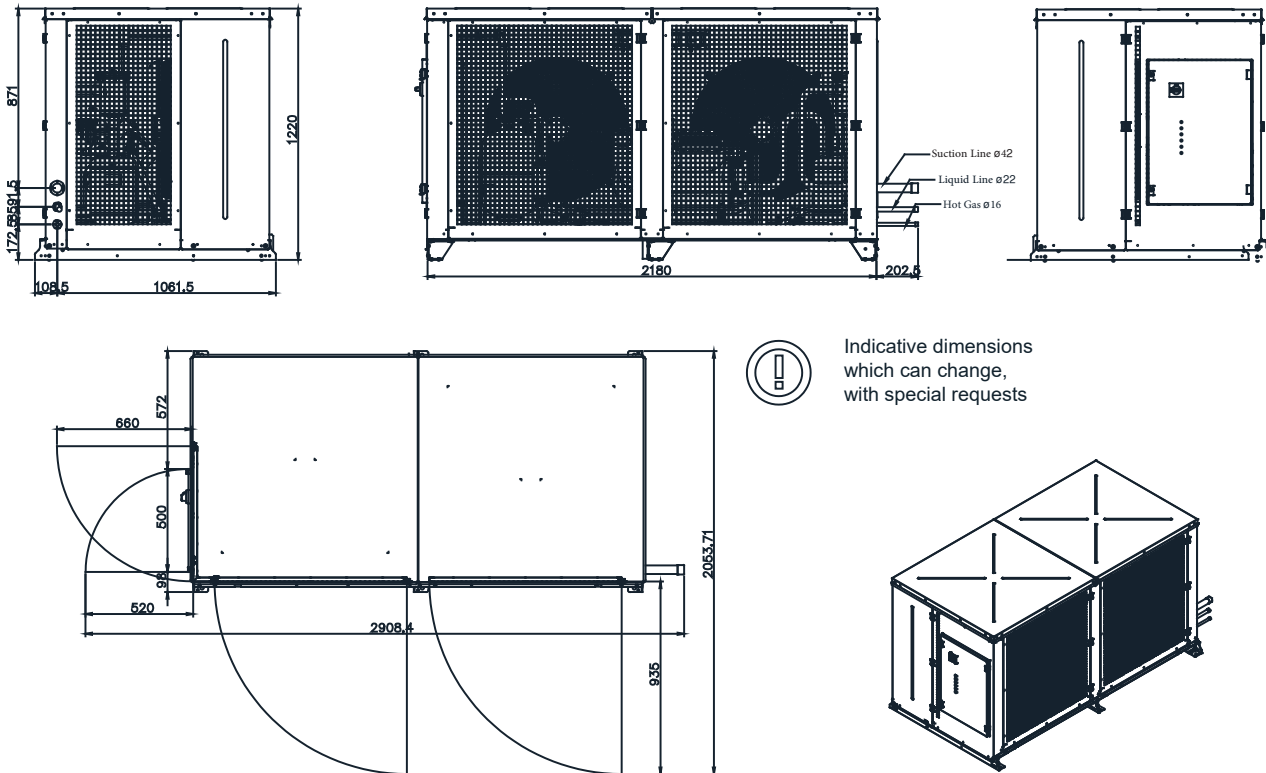
Chill TOUCH
WI-FI

Condensing Unit

10 HP Condensing Unit



15 HP Condensing Unit



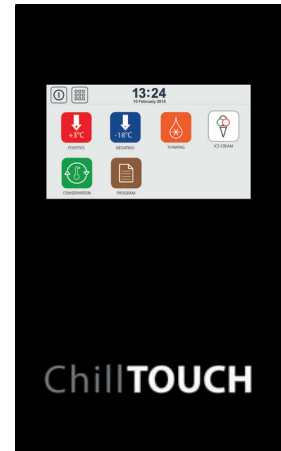
Functions

Version	Blast chiller cycles	Ice cream cycle	Conservation cycle	Thawing cycles	Ozone cycle	Hot gas defrosting	Stored Programs	Variable speed fans evaporator	Variable power resistance	Dynamic Frost Control	Load/Download data-USB
START	●	●	●	●	●	●	●	●	●	●	●
FULL	●	●	●	●	●	●	●	●	●	●	●

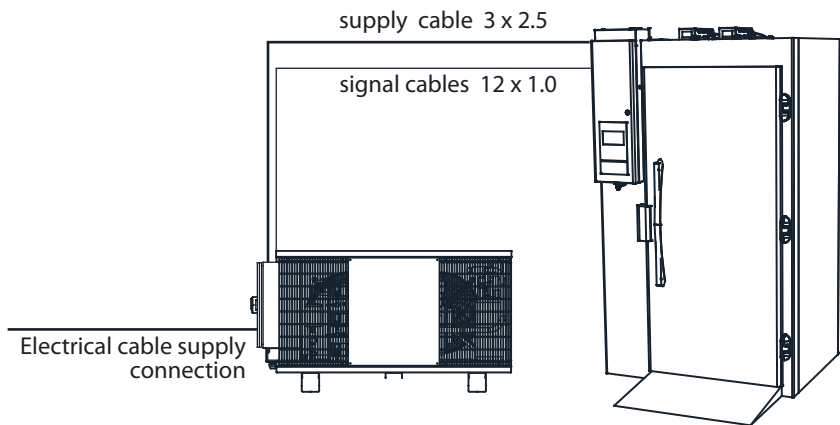
7" TOUCH INTERFACE



Predisposed **WI-FI** connection



Electrical connections



Machine delivered without condensing unit

Disclaimer Clause

Castelmac guarantees only the good functioning of the components of the machine. It's excluded from the warranty:- the cooling performance of the machine malfunctioning or damages due to the partial or not complete connection of the machine with the central cooling unit or the non-original condensing unit. In particular there is no warranty on damages on the machine due to the missed connection of the alarm input which stops the machine in case of alarm coming from the central cooling unit or the non-original condensing unit. Hot gas defrosting available only if hot gas supplied (distance < 25 m). Alternative air defrosting available from control panel.

Connection to condensing unit NOT supply by Tecnomac

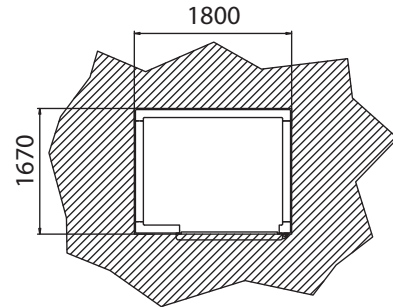
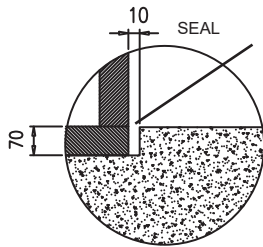
- Output signal supplied for switch on compressor
- Output signal supplied for switch on hot gas valve (if present)
- Input signal available for alarm coming from the condensing unit, which stops the machine

Connection to central cooling unit

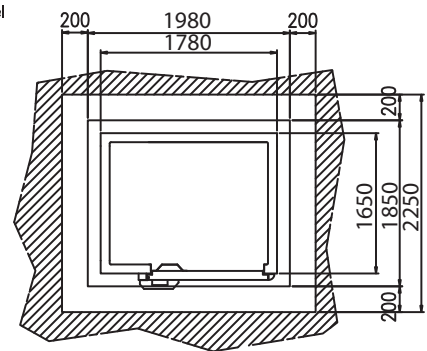
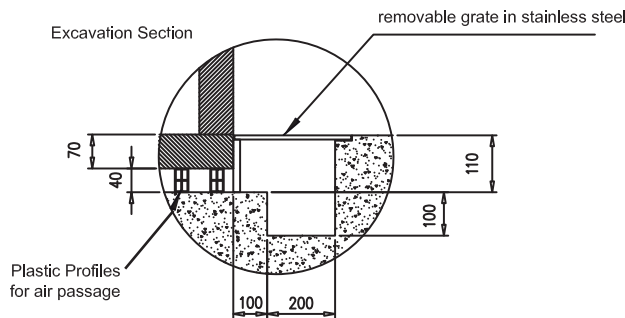
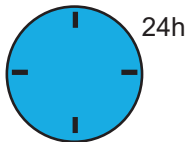
- Blast Freezing function must be disabled (do not work)
- Use the freezing line (-28°C / -30°C Evaporation)
- Output signal supplied for liquid line valve control (valve not supplied)
- Input signal available for general alarm from the central cooling unit, which stops the machine

Aerated Excavation

For running, less than 16 hours a day

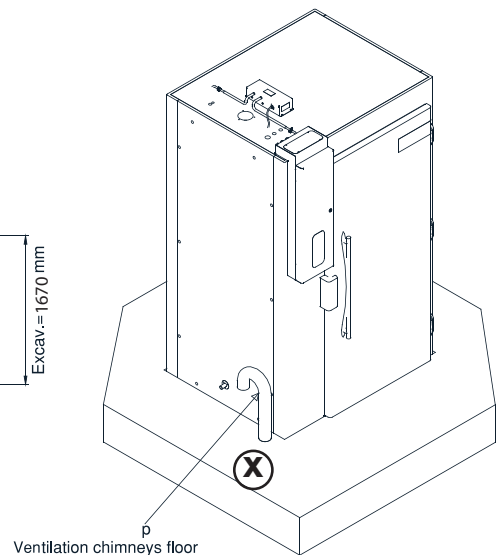
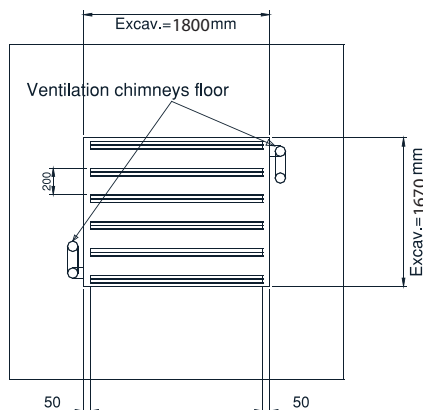
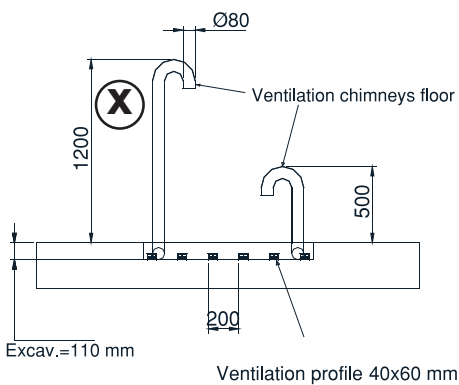


For running 24 hours a day with removable gate



Excavation example

For running 24 hours a day with ventilation chimneys



! Masonry work and chimneys, charged to the customer.