

Gas heated self contained 225L tilting kettle with solid state controls for accurate temperature control ( $\pm 1^{\circ}\text{C}$ ) and low water safety. All exterior surfaces are stainless steel.

**STANDARD FEATURES**

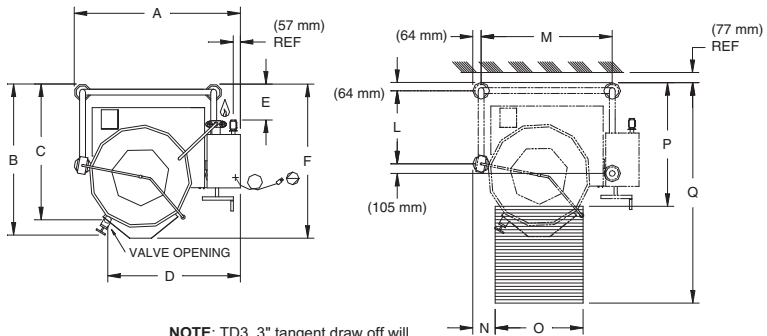
- Automatic Electronic Spark Ignition System.
- Supplied with Gas Pressure Regulator.
- "Splash-Proof" rear-mounted pressure/vacuum gauge.
- Kettle and all exterior surfaces are a 304 Stainless Steel with a #4 finish.
- Energy efficient (65%), high performance gas-fired heating system for fast heat-up and recovery time:
- Steam jacket permanently filled with treated distilled water; venting and/or refilling is not required.
- 50 psi Steam Jacket Rating. Safety Valve mounted toward rear of kettle to avoid tampering.
- Tilt Mechanism of roller bearings and case hardened self-locking worm and segment gear.
- Support Legs with level adjustable feet, flanged for floor bolting.
- Large pouring lip for easier, faster, pouring. Heavy-duty Rolled Rim design provides strong reinforcement, prevents damages from abuse.
- Precise, consistent temperature control, less than  $1^{\circ}\text{C}$  temperature variance (ideal for simmering). Operating temperature range from  $63^{\circ}\text{C}$ - $127^{\circ}\text{C}$ .
- "Splash-Proof" Solid-State Control Panel for temperature, Low Water Safety, and Power "On/Off" Switch.

**OPTIONAL FEATURES**

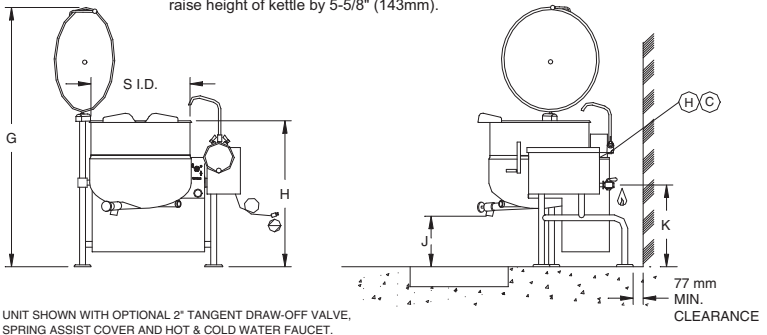
- 316 Stainless Steel Liner (316)
- Kettle Markings (KM)
- Spring Assist Cover (CHS)
- Lift Off Cover (CL60)
- Basket Strainer (BS and TBS)
- Measuring Strip (MS)
- Food Strainer (FS)
- 51mm Tangent Draw-Off Valve (TD2) or 76mm (TD3)
- 76mm Butterfly Valve (BV3)
- Kettle Accessory Kit (KAK) includes: Clean-up Brush (CB) - 914mm Kettle Paddle (KP), 914mm Kettle Whip (KW) - 914mm Kettle Brush, Draw-Off Brush (DB) - 24 oz. Ladle (KL)
- Hot and cold water faucet (DPK), or cold water (SPK).



KGL60T - OPT shown



NOTE: TD3, 3" tangent draw off will raise height of kettle by 5-5/8" (143mm).



UNIT SHOWN WITH OPTIONAL 2" TANGENT DRAW-OFF VALVE, SPRING ASSIST COVER AND HOT & COLD WATER FAUCET.

77 mm MIN. CLEARANCE

**TECHNICAL DATA**

Power Supply: 1NAC 240V, 1 Phase, 50Hz 5amp (2.5m Cable & Plug included)

Gas Consumption: 174mj

Gas Type: Natural or Propane

Gas Connection: 3/4"

Capacities (per kettle):  
(in 230 gram servings, other sizes may be calculated)  
60 gallons / 225 litres - 960 servings

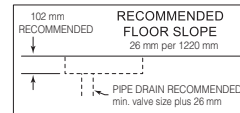
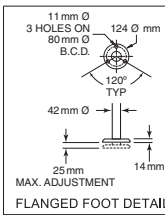
AGA Approval no.: AGA 7974G

**SHIPPING DATA**

Shipping Weight: 292 kg

Shipping Dimensions: 1117W x 1117D x 1498H mm

SPECIFICATIONS ARE SUBJECT TO CHANGE WITHOUT NOTICE.



WATER $\text{H}_2\text{O}$	CLEARANCE
$\text{H}_2\text{O}$ 1/2" dia. Soft Copper Tubing (each) When ordered with optional faucet.	RIGHT = 0" LEFT = 0" REAR = 3" Allow 6" space minimum from rear and sides when located near combustible walls. 12" recommended on right side for service

**CODING GUIDE FOR OPTIONS**

- OPT CHS and TD2
- OPT1 316 Liner only
- OPT2 CHS only
- OPT3 CHS and TD3
- OPT4 TD2 only
- OPT6 CHS TD2 and 316
- OPT7 CHS and BV3

- OPT8 CHS, TD3 and 316
- OPT9 BV3, 316 only

\*add OPT suffix to product code.

**DIMENSIONS**

LITRES	A	B	C	D	E	F	G	H	J	K	L	M	N	O	P	Q	S.I.D.	
225	mm	1255	1169	1055	940	299	1201	1905	1112	388	623	559	1001	153	712	940	1728	750



**National Head Office**  
156 Swann Drive  
Derrimut VIC 3026  
Tel: +61 3 8369 4600  
Fax: +61 3 8369 4699  
[www.comcater.com.au](http://www.comcater.com.au)

**Melbourne**  
96-100 Tope Street  
South Melbourne VIC 3205  
Tel: +61 3 8699 1200  
Fax: +61 3 8699 1299

**Sydney**  
20/4 Avenue of the Americas  
Newington, NSW 2127  
Tel: +61 2 8775 9500  
Fax: +61 2 9648 4762

**Brisbane**  
1/62 Borthwick Avenue  
Murarrie QLD 4172  
Tel: +61 7 3900 2700  
Fax: +61 7 3399 5311

**Perth**  
Unit 16, 7 Abrams Street  
Balcatta, WA 6021  
Tel: +61 8 6217 0700  
Fax: +61 8 6217 0799