

CLEVELAND MKET-12T

ELECTRIC TABLE TOP MIXER KETTLE

Lever tilt, electric, self contained single kettle with 45lt capacity, 2/3 steam jacketed. Solid state controls for accurate temperature control ($\pm 1^{\circ}\text{C}$) and low water safety. All exterior surfaces are stainless steel.



STANDARD FEATURES

- Steam Jacket permanently filled with distilled water, corrosion inhibitor and antifreeze
- Rear mounted Pressure/Vacuum Gauge and Pressure Relief Valve protected by Stainless Steel Bracket
- Infinitely variable speed for all conditions; scraper from 0-70 rpm, agitator from 0-210 rpm
- Removable (without tools) Nylon Blades scrape entire jacketed surface
- 3/4 horse power D.C. Timing Belt Drive
- Mixing stops when bridge is lifted
- Enclosed, balanced, 10 Gauge Stainless Steel Mixer Bridge
- Large Pouring Lip
- 50 psi safety valve mounted under kettle to avoid tampering
- Solid State temperature Control ($\pm 1^{\circ}\text{C}$) for perfect simmering
- Safety Device prevents High Speed Starts
- Agitator and Scraper are bayonet mounted for easy removal
- Kettle and all exterior surfaces are Stainless Steel
- Gallon Markers on Scraper Shaft
- No water gauge required
- Solid State Low Water Safety Control

OPTIONAL FEATURES

- Support Stand with Drain Drawer (ST28)
- Double or Single Pantry Faucet (DPK or SPK)
- Food Strainer (FS-12)
- Type 316 Stainless Steel Kettle Interior for high acid food products (316-12G)
- Water Meter (GMF or LMF) Wall Mounted or on Stand (SWM)
- Kettle Accessory Kit (KAK) includes:
 - Clean-up Brush (CB) - 36" Kettle Paddle (KP)
 - 36" Kettle Whip (KW) - 36" Kettle Brush (KB)
 - Draw-off Brush (DB) - 24 oz. Ladle (KL)
- Cover (MTP12)
- Faucet Bracket (FBKT)
- Flow Diverter (F-D)

SPECIFICATIONS ARE SUBJECT TO CHANGE WITHOUT NOTICE.

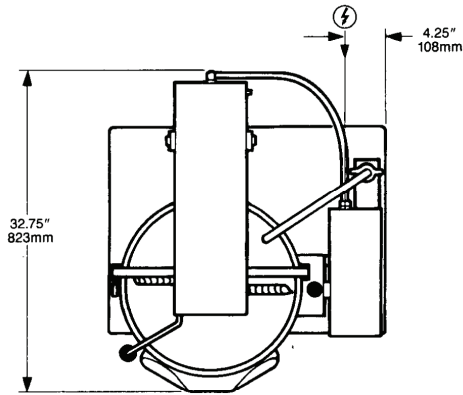
From the world of Comcater!

National Head Office
156 Swann Drive
Derrimut VIC 3030
Tel: +61 3 8369 4600
Fax: +61 3 8369 4695

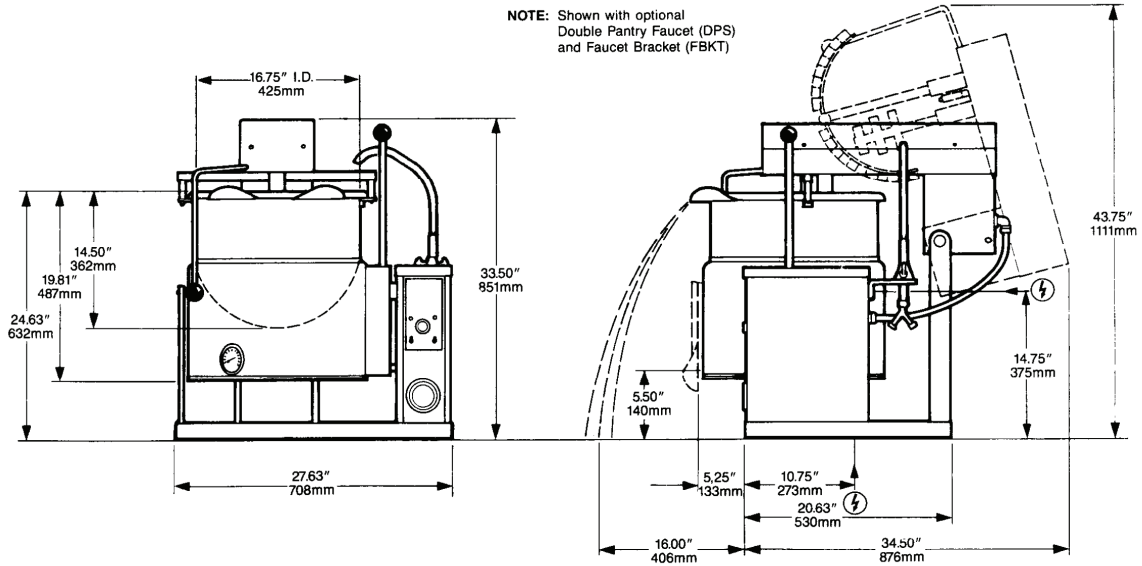
Melbourne
96-100 Tope Street,
South Melbourne VIC 3205
Tel: +61 3 8369 4600
Fax: +61 2 8699 1299

Sydney
20/4 Avenue of the Americas
Newington, NSW 2127
Tel: +61 2 9748 3000
Fax: +61 2 9 648 4762

Brisbane
1/62 Borthwick Avenue
Murarrie QLD 4172
Tel: +61 7 3399 3122
Fax: +61 7 3399 5311



NOTE: Shown with optional Double Pantry Faucet (DPS) and Faucet Bracket (FBKT)



TECHNICAL DATA

Power Supply	415V, 3 Phase, 24amp
Energy Rating	14.2kW

SPECIFICATIONS ARE SUBJECT TO CHANGE WITHOUT NOTICE.



www.comcater.com.au

PROUDLY DISTRIBUTED BY: